

Tija 150



General

Product Type:	Bollard
Mounting Type:	Mounted
Driver Required:	Yes (Integrated)
Application:	Outdoor

Lighting

Light Source:	CREE
Wattage:	10W
Lumen	800lm
Efficacy (lm/w):	80lm/w
Beam Angle	120°
Colour Temp (K):	3000K/4000K/5000K/6000K
CRI (Ra):	80/90
UGR:	-
Macadam Ellipse:	<2 SDCM
Lifetime (hrs):	50000 hrs

Electrical

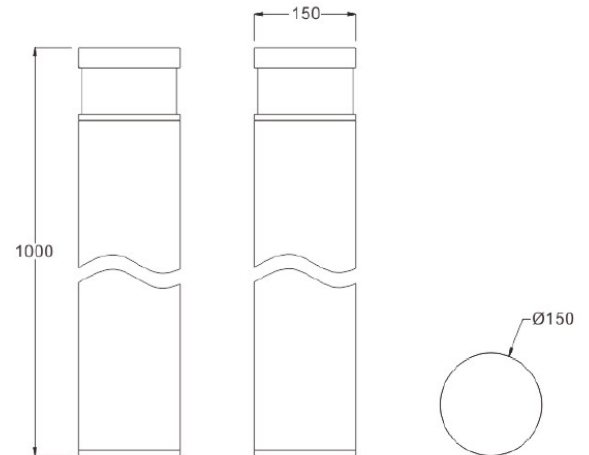
Input:	AC220-240V, 50/60Hz
Driver Type:	Inbuilt
Dimmable:	On/off <i>Standard</i> (Option available)
Dimming Method:	DALI/0-10v TRIAC

Physical

Housing:	Die-cast Aluminum
Diffuser:	-
Finish:	Black/Grey/Silver/Aluminum
Dimension:	150x1000mm
Cut out:	-
IP Rating:	IP65
IK Rating:	IK08
Adjustability:	No
Gross Weight:	-

Additional Information

Warranty:	5 Years
-----------	---------



Microlights® reserves the right to modify technical specifications and data without notice. Rated values (at 25°C) for luminous flux and electrical load have an initial tolerance of +/- 10%, CCT tolerance ranges from +/- 150K. For product inquiries, please contact us at info@microlightsgroup.ae

©2024 Microlights Lighting LLC. All rights reserved.