

# Eddi Gimbal



## General

Product Type:	Downlight
Mounting Type:	Ceiling Recessed
Driver Required:	Integrated
Application:	Indoor

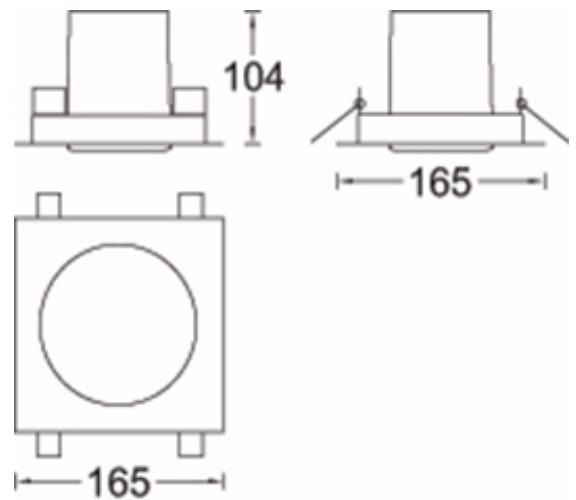


## Lighting

Light Source:	LED
Wattage:	10W
Lumen:	1000lm
Efficacy (lm/W):	100m/W
Beam Angle:	26°
Colour Temp (K):	2700K/3000K/4000K
CRI (Ra):	>90
UGR:	-
Macadam Ellipse:	<3 SDCM
Lifetime (hrs):	50000 hrs

## Electrical

Input:	220-240, 50/60Hz
Driver Type:	Remote
Dimmable:	On/Off (Dimming Options available)



## Physical

Housing:	Die Cast Aluminum White/
Finish:	Black 165x104mm
Dimension:	-
Cut out:	IP20
IP Rating:	-
IK Rating:	-
Adjustability:	-

## Additional Information

Warranty:	5 Years
-----------	---------

Microlights® reserves the right to modify technical specifications and data without notice. Rated values (at 25°C) for luminous flux and electrical load have an initial tolerance of +/- 10%, CCT tolerance ranges from +/- 150K. For product inquiries, please contact us at [info@microlightsgroup.ae](mailto:info@microlightsgroup.ae)

©2024 Microlights Lighting LLC. All rights reserved.