

Eddi Gimbal Circ



General

Product Type:	Gimbel Downlight
Mounting Type:	Ceiling Recessed
Driver Required:	Yes
Application:	Indoor

Lighting

Light Source:	COB LED
Wattage:	30W
Lumen:	3000lm
Efficacy (lm/W):	100lm/W
Beam Angle:	24°/36°/52°
Colour Temp (K):	3000K/3500K/4000K
CRI (Ra):	90
UGR:	-
Macadam Ellipse:	<3 SDCM
Lifetime (hrs):	50000 hrs

Electrical

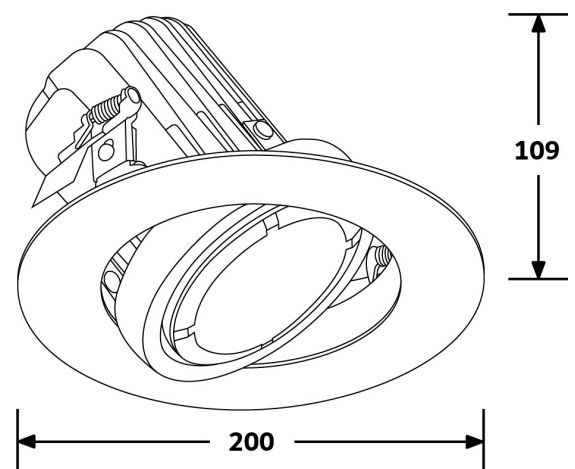
Input:	220-240V, 50/60Hz
Driver Type:	Remote
Dimmable:	On/Off (Dimming option available)

Physical

Housing:	Aluminum
Diffuser:	PC lens
Finish:	White/Black
Dimension:	Ø200xH109mm
Cut out:	Ø150mm
IP Rating:	IP20
IK Rating:	-
Adjustability:	Yes(Tilt:30°, Rot:180°)
Gross Weight:	-

Additonal Information

Warranty:	5 Years
-----------	---------



Microlights® reserves the right to modify technical specifications and data without notice. Rated values (at 25°C) for luminous flux and electrical load have an initial tolerance of +/- 10%, CCT tolerance ranges from +/- 150K. For product inquiries, please contact us at info@microlightsgroup.ae

©2024 Microlights Lighting LLC. All rights reserved.